

特点:

- 全屏电阻触摸屏设计
- 模块化设计 10.1~21.5"可选,支持方屏/宽屏
- 前面板满足 IP65 要求
- 前面板集成 USB Type-A 和信号指示灯
- 采用 Intel® J6412/N97/N305 低功耗 CPU
- 集成双 Intel®千兆网卡
- 双硬盘存储支持
- 支持 APQ aDoor 模块扩展
- 支持 WiFi/4G 无线扩展
- 无风扇设计
- 嵌入式/VESA 安装
- 12~28V 直流供电



程管理



状态监控



远程运维

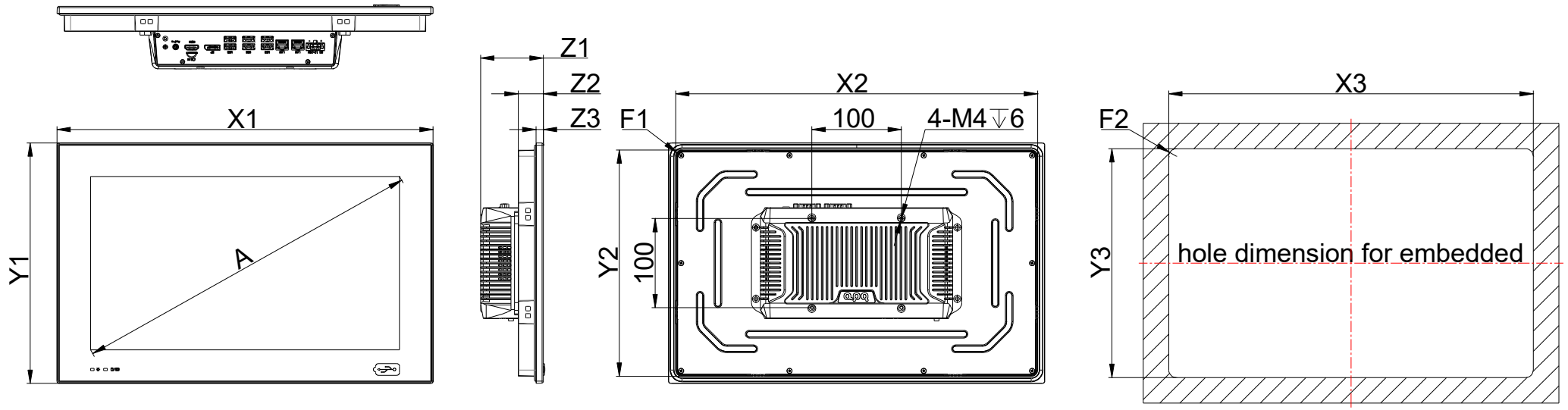


安全控制

产品规格

Model		PL101RQ-E5S	PL104RQ-E5S	PL121RQ-E5S	PL150RQ-E5S	PL156RQ-E5S	PL170RQ-E5S	PL185RQ-E5S	PL191RQ-E5S	PL215RQ-E5S
LCD	Display Size	10.1"	10.4"	12.1"	15.0"	15.6"	17.0"	18.5"	19.0"	21.5"
	Max.Resolution	1280 x 800	1024 x 768	1024 x 768	1024 x 768	1920 x 1080	1280 x 1024	1366 x 768	1440 x 900	1920 x 1080
	Luminance	400 cd/m2	350 cd/m2	350 cd/m2	300 cd/m2	350 cd/m2	250 cd/m2	250 cd/m2	250 cd/m2	250 cd/m2
	Aspect Ratio	16:10	4:3	4:3	4:3	16:9	5:4	16:9	16:10	16:9
	Viewing Angle	89/89/89/89°	88/88/88/88°	80/80/80/80°	88/88/88/88°	89/89/89/89°	85/85/80/80°	89/89/89/89°	85/85/80/80°	89/89/89/89°
	Max. Color	16.7M	16.2M	16.7M	16.7M	16.7M	16.7M	16.7M	16.7M	16.7M
	Backlight Lifetime	20,000 hr	50,000 hr	30,000 hr	70,000 hr	50,000 hr	30,000 hr	30,000 hr	30,000 hr	50,000 hr
	Contrast Ratio	800:1	1000:1	800:1	2000:1	800:1	1000:1	1000:1	1000:1	1000:1
Touchscreen	Touch Type	5-Wire Resistive Touch								
	Controller	USB signal								
	Input	Finger/Touch pen								
	Light Transmission	≥78%								
	Hardness	≥3H								
	Click lifetime	100gf, 10 million times								
	Stroke lifetime	100gf, 1 million times								
Response time	≤15ms									
Processor System	CPU	Intel® Elkhart Lake J6412			Intel® Alder Lake N97			Intel® Alder Lake N305		
	Base Frequency	2.00 GHz			2.0 GHz			1 GHz		
	Max Turbo Frequency	2.60 GHz			3.60 GHz			3.8GHz		
	Cache	1.5MB			6MB			6MB		
	Total Cores/Threads	4/4			4/4			8/8		
	TDP	10W								
	Chipset	SOC								
	BIOS	AMI UEFI BIOS								
Memory	Socket	LPDDR4 3200 MHz (Onboard)								
	Capacity	8GB								
Graphics	Controller	Intel® UHD Graphics								
Ethernet	Controller	2 * Intel® i210-AT (10/100/1000 Mbps, RJ45)								
Storage	SATA	1 * SATA3.0 Connector (2.5-inch hard disk with 15+7Pin)								
	M.2	1 * M.2 Key-M Slot (SATA SSD, 2280)								
Expansion Slots	aDoor	1 * aDoor								
	Mini PCIe	1 * Mini PCIe Slot (PCIe2.0x1+USB2.0)								
Front I/O	USB	4 * USB3.0 (Type-A) 2 * USB2.0 (Type-A)								
	Ethernet	2 * RJ45								
	Display	1 * DP++: max resolution up to 4096x2160@60Hz 1 * HDMI (Type-A): max resolution up to 2048x1080@60Hz								
	Audio	1 * 3.5mm Jack (Line-Out + MIC, CTIA)								
	SIM	1 * Nano-SIM Card slot (Mini PCIe module provides functional support)								
	Power	1 * Power Input Connector (12~28V)								
	Button	1 * Power Button with Power LED								
Rear I/O	Serial	2 * RS232/485 (COM1/2, DB9/M, BIOS control)								
	Front Panel	1 * Front Panel (3x2Pin, PHD2.0)								
Internal I/O	FAN	1 * SYS FAN (4x1Pin, MX1.25)								
	Serial	2 * COM (JCOM3/4, 5x2Pin, PHD2.0) 2 * COM (JCOM5/6, 5x2Pin, PHD2.0)								
	USB	2 * USB2.0 (F_USB2_1, 5x2Pin, PHD2.0) 2 * USB2.0 (F_USB2_2, 5x2Pin, PHD2.0)								
	Display	1 * LVDS/eDP (default LVDS, wafer, 25x2Pin 1.00mm)								
	Audio	1 * Speaker (2-W (per channel)/8-Ω Loads, 4x1Pin, PH2.0)								
	GPIO	1 * 16bits DIO (8xDI and 8xDO, 10x2Pin, PHD2.0)								
	LPC	1 * LPC (8x2Pin, PHD2.0)								
	Type	DC								
Power Supply	Power Input Voltage	12~28VDC								
	Connector	1 * 2Pin Power Input Connector (12~28V, P= 5.08mm)								
	RTC Battery	CR2032 Coin Cell								
OS Support	Windows	Windows 10								
	Linux	Linux								
Watchdog	Output	System Reset								
	Interval	Programmable 1 ~ 255 sec								
Mechanical	Enclosure Material	Radiator/Panel: Aluminum, Box/Cover: SGCC								
	Mounting	VESA, embedded								
	Dimensions (L*W*H, Unit: mm)	272.1*192.7 *70	284* 231.2 *70	321.9* 260.5*70	380.1* 304.1*70	420.3* 269.7*70	414* 346.5*70	485.7* 306.3*70	484.6* 332.5*70	550* 344*70
Weight	Net: 2.9kg, Total: 5.1kg	Net: 3.0kg, Total: 5.2kg	Net: 3.2kg, Total: 5.5kg	Net: 4.6kg, Total: 7kg	Net: 4.5kg, Total: 6.9kg	Net: 5.2kg, Total: 7.7kg	Net: 5.2kg, Total: 7.8kg	Net: 5.9kg, Total: 8.5kg	Net: 6.2kg, Total: 8.9kg	
	Heat Dissipation System	Passive heat dissipation								
Environment	Operating Temperature	-20~60°C	-20~60°C	-20~60°C	-20~60°C	-20~60°C	0~50°C	0~50°C	0~50°C	0~60°C
	Storage Temperature	-20~60°C	-20~70°C	-30~80°C	-30~70°C	-30~70°C	-20~60°C	-20~60°C	-20~60°C	-20~60°C
	Relative Humidity	10 to 95% RH (non-condensing)								
	Vibration During Operation	With SSD: IEC 60068-2-64 (1Grms@5~500Hz, random, 1hr/axis)								
	Shock During Operation	With SSD: IEC 60068-2-27 (15G, half sine, 11ms)								

产品尺寸



A	System Dimension						Panel Mount				
	X1	Y1	Z1	X2	Y2	Z2	X3	Y3	Z3	F1	F2
10.1"	272.1	192.7	70	260.9	181.5	28	262.5	183.1	8	6.9	7.8
10.4"	284	231.2	70	268.1	215.3	28	269.9	217.1	8	7.1	8.5
12.1"	321.9	260.5	70	307	245.6	28	309.8	248.4	8	7.1	8.5
15.0"	380.1	304.1	70	364.2	288.2	28	367	291	8	7.1	8.5
15.6"	420.3	269.7	70	404.5	253.8	28	407.3	256.6	8	7.1	8.5
17.0"	414	346.5	70	398.2	330.6	28	401	333.4	8	7.1	8.5
18.5"	485.7	306.3	70	469.8	290.4	28	472.6	293.2	8	7.1	8.5
19.1"	484.6	332.5	70	468.7	316.6	28	471.5	319.4	8	7.1	8.5
21.5"	550	344	70	538.7	327.7	28	539.5	330.9	8	7.1	8.5

产品 I/O

